

Wilo – VP Series – Submersible Vortex Pumps



Type key

Example : VP 50/9-04-V-1-A

VP	Vortex Pump
50	Discharge (mm)
9	Shut-off head at Zero flow (m)
04	Motor power x 100 (watts)
V	Impeller type V: Vortex
1	Motor Phase
A	Float switch

Application

- Drainage of sewage from the building basements, hotel industry and wastewater from factories.
- Drainage and sewage from industrial process factories
- Emptying of septic tanks, cesspits and sewage pump stations.
- Pumping surface and drainage water from garages and sprinkler systems

Special features/product advantages

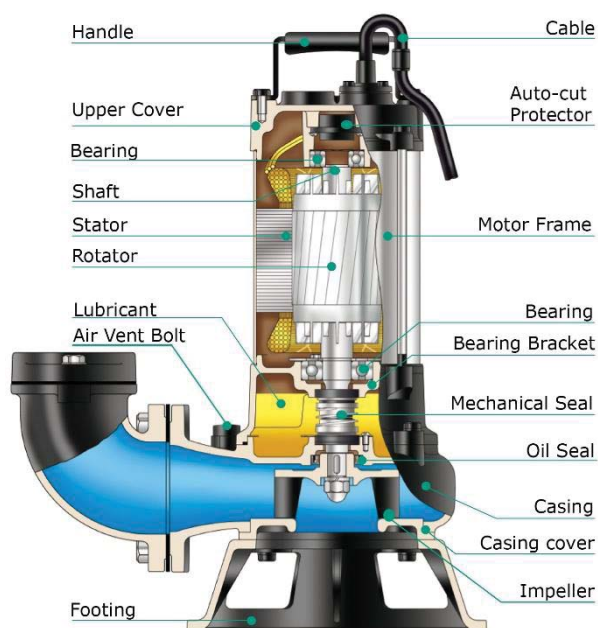
- Standard accessories include : cable with an epoxy resin sealed water resistant cable base, auto-cut thermal motor protector, dual mechanical seals and lip seal design.
- The VP 50/11-04-V is a practical pump, with an oil filled motor and single seal design (CA/CE).

Technical data

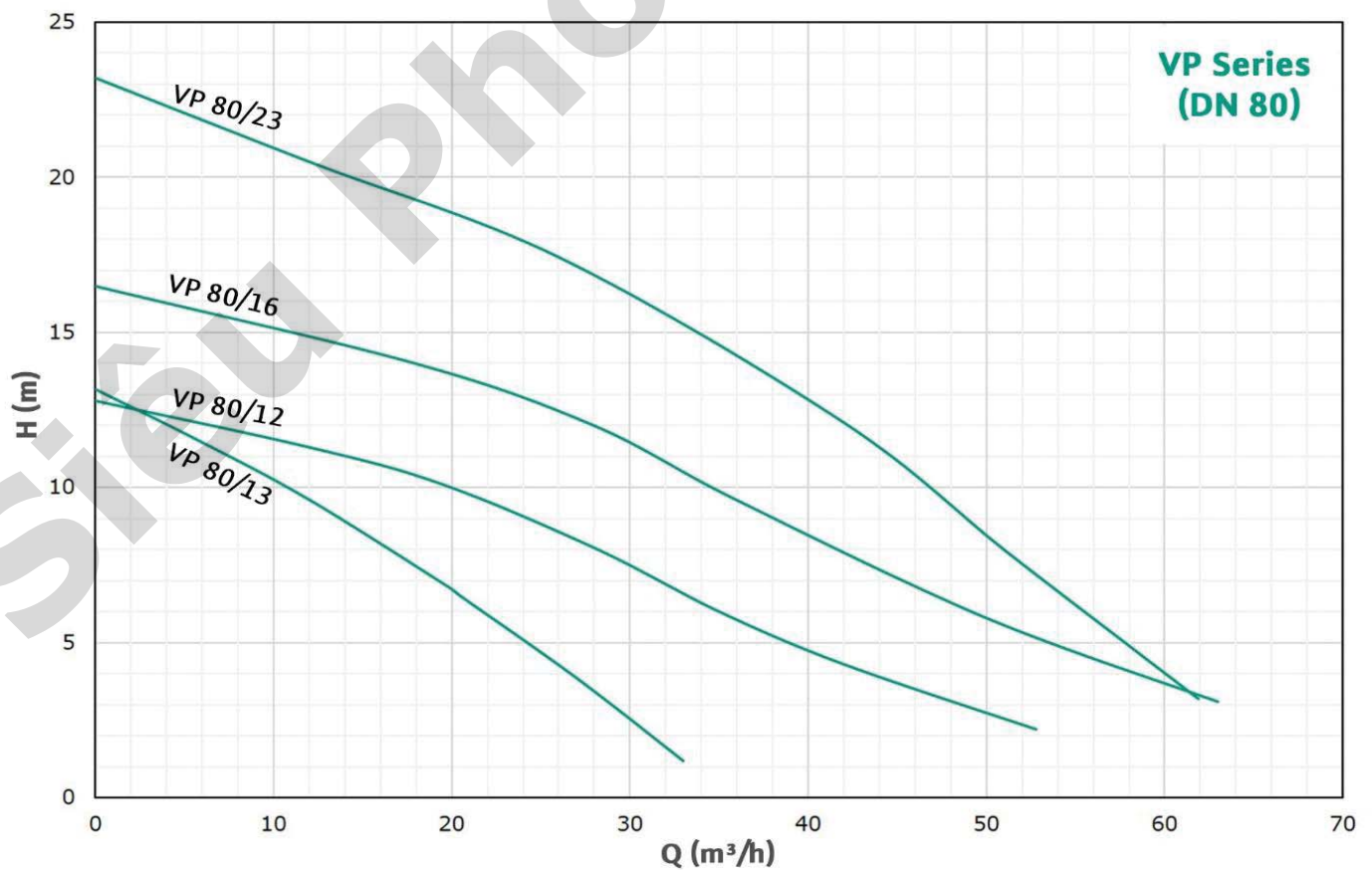
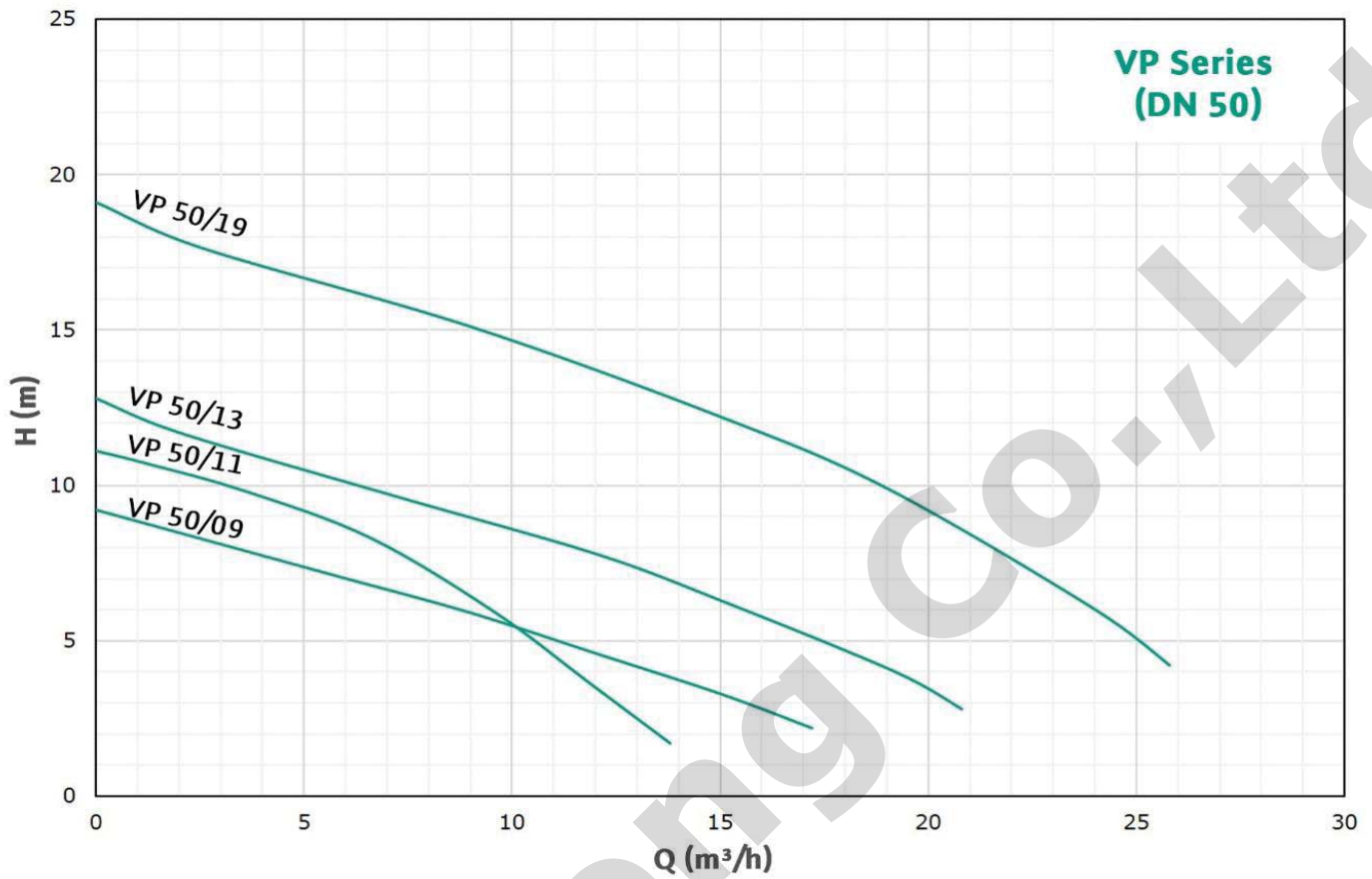
• Liquid Temperature :	0~40°C
• Max. Submersion Depth :	30 m (100 ft)
• Frequency :	50 Hz
• Motor :	2-Pole Dry Motor VP50/11-04-V – Oil Motor
• Insulation :	Class B (Up to 2.2 kW) Class F (3 kW and above)
• Protection :	IP 68
• Bearing :	Ball type
• Mechanical seal :	Double Mech. Seals VP50/11-04-V – Single
• Impeller :	Vortex

Materials

• Upper cover :	Cast Iron (FC200)
• Motor frame :	SUS304 Stainless Steel
• Shaft end :	
0.4-0.75 kW	410 Stainless Steel
1.0-2.2 kW	403 Stainless Steel
• Mechanical seal	
Upper :	Carbon/Ceramic
Lower :	Silicon/Silicon
• O-Ring :	Viton
• Casing :	Cast Iron (FC200)
• Impeller :	Cast Iron (FC200)
• Cable :	VCT (optional H07RN-F)



Performance Curve



Technical Data

Model	Discharge (mm)	Solid Passage (mm)	Rated power		Full Load Ampere				Pole	Weight (Kg)	
					1 ϕ		3 ϕ			1 ϕ	3 ϕ
			kW	HP	230V	230V	380V	400V			
VP 50/11-04-V-1	50	10	0.4	0.5	3.0	~	~	~	2	12	~
VP 50/9-04-V	50	35	0.4	0.5	3.3	1.4	1.3	1.3	2	16	15
VP 50/13-075-V	50	35	0.75	1	5.2	2.0	1.9	1.8	2	17	16
VP 50/19-15-V	50	35	1.5	2	10.0	3.6	3.5	3.4	2	30	25
VP 80/13-075-V	80	30	0.75	1	5.2	2.0	1.9	1.8	2	18	17
VP 80/12-15-V	80	25	1.5	2	10.0	3.6	3.5	3.4	2	38	33
VP 80/16-22-V	80	25	2.2	3	14.6	5.1	5.0	4.8	2	40	34
VP 80/23-37-V-3	80	50	3.7	5	~	8.3	7.9	7.9	2	~	33

Model	A	B	C	D
	(mm)			
VP 50/11-04-V-1	225	190	161	349
VP 50/9-04-V	237	199	154	425
VP 50/13-075-V	237	199	154	425
VP 50/19-15-V	288	250	202	546
VP 80/13-075-V	278	224	173	456
VP 80/12-15-V	411	269	258	598
VP 80/16-22-V	411	269	258	598
VP 80/23-37-V-3	453	260	202	539

