

Wilo – CSP Series – Submersible Cutter Sewage Pump



Wilo – CSP Cast Iron



Wilo – CSP Stainless Steel

Type key

Example : CSP 80/21-22-C-1-A

CSP	Cutter Sewage Pump
80	Discharge (mm)
21	Shut-off head at Zero flow (m)
22	Motor power x 100 (watts)
C	Impeller type (Channel) Cutter version with tungsten carbide tip
1	Motor Phase
A	Float switch

Application

- Drainage of sewage from building basements, hotels, and waste water from factories.
- Suitable for industrial wash down applications with no chemical treatments.
- Emptying of septic tanks, cesspits and sewage pump stations.

Special features/product advantages

- Electrical cable with an epoxy resin sealed water resistant cable base.
- Auto-cut thermal motor protector.
- Dual mechanical seals for increased protection

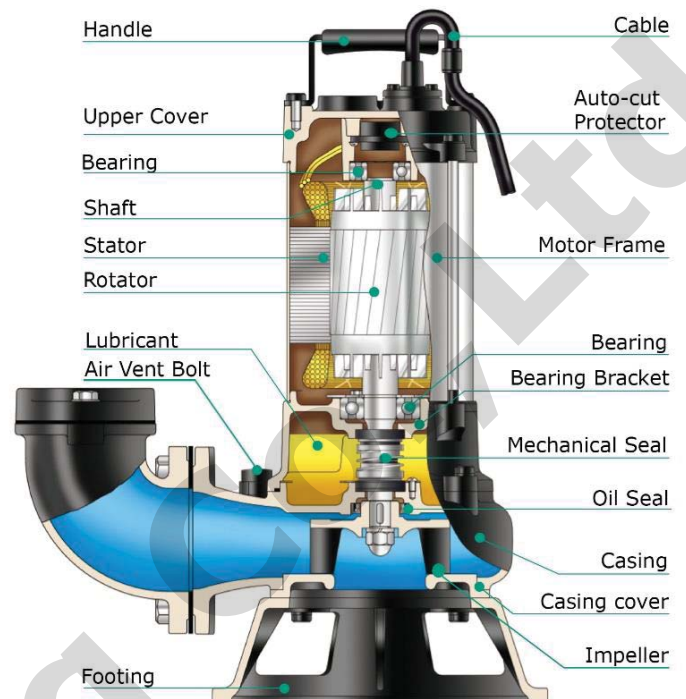
Technical Data

Technical data

- Liquid Temperature : 0~40°C
- Max. Submersion Depth : 30 m (100 ft)
- Frequency : 50 Hz
- Motor : 2-Pole Dry Motor
- Insulation : Class B
- Protection : IP 68
- Bearing : Ball type
- Mechanical seal : Double Mech. seals
- Impeller : Channel with tungsten carbide cutting tip

Materials

- Upper cover : Cast Iron (FC200)
- Motor frame: 304 Stainless Steel
- Shaft end
CSP50 & CSP80 : 410 Stainless Steel
- Mechanical seal
Upper : Carbon/Ceramic
Lower : Silicon/Silicon
- Casing : Cast iron (FC200)
- Impeller : Cast iron (FC200)
- Cable : VCT (optional H07RN-F)



C Type impeller and cutter casing cover

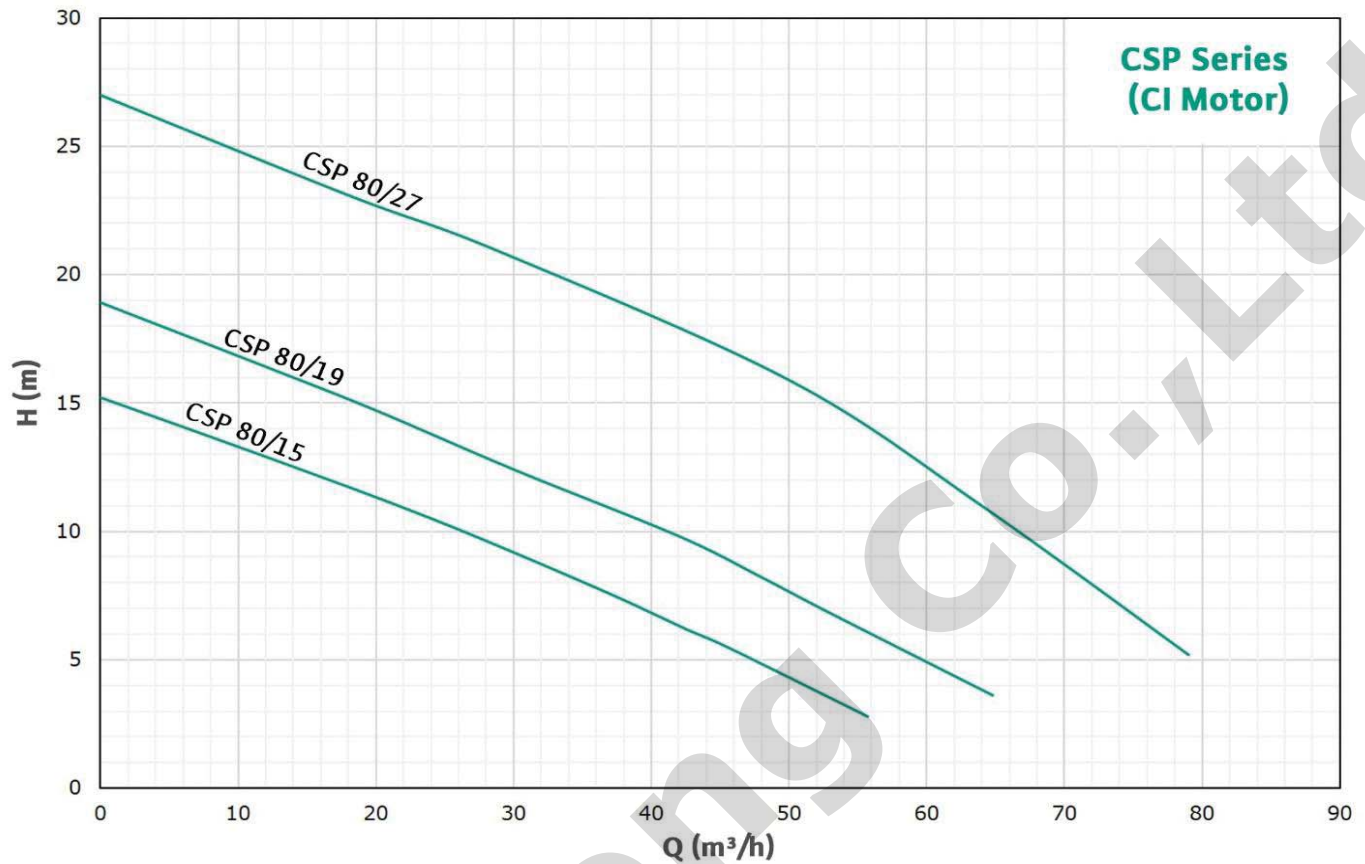
Semi-open

The tungsten carbide edge, on the impeller vanes, shreds against the inner cutting blade to breakdown destructible solids into small pieces to prevent clogging in the pump.

The heat hardened casing cover is designated to withstand abrasions.

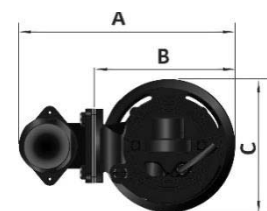


Technical Data – CSP–Cast Iron

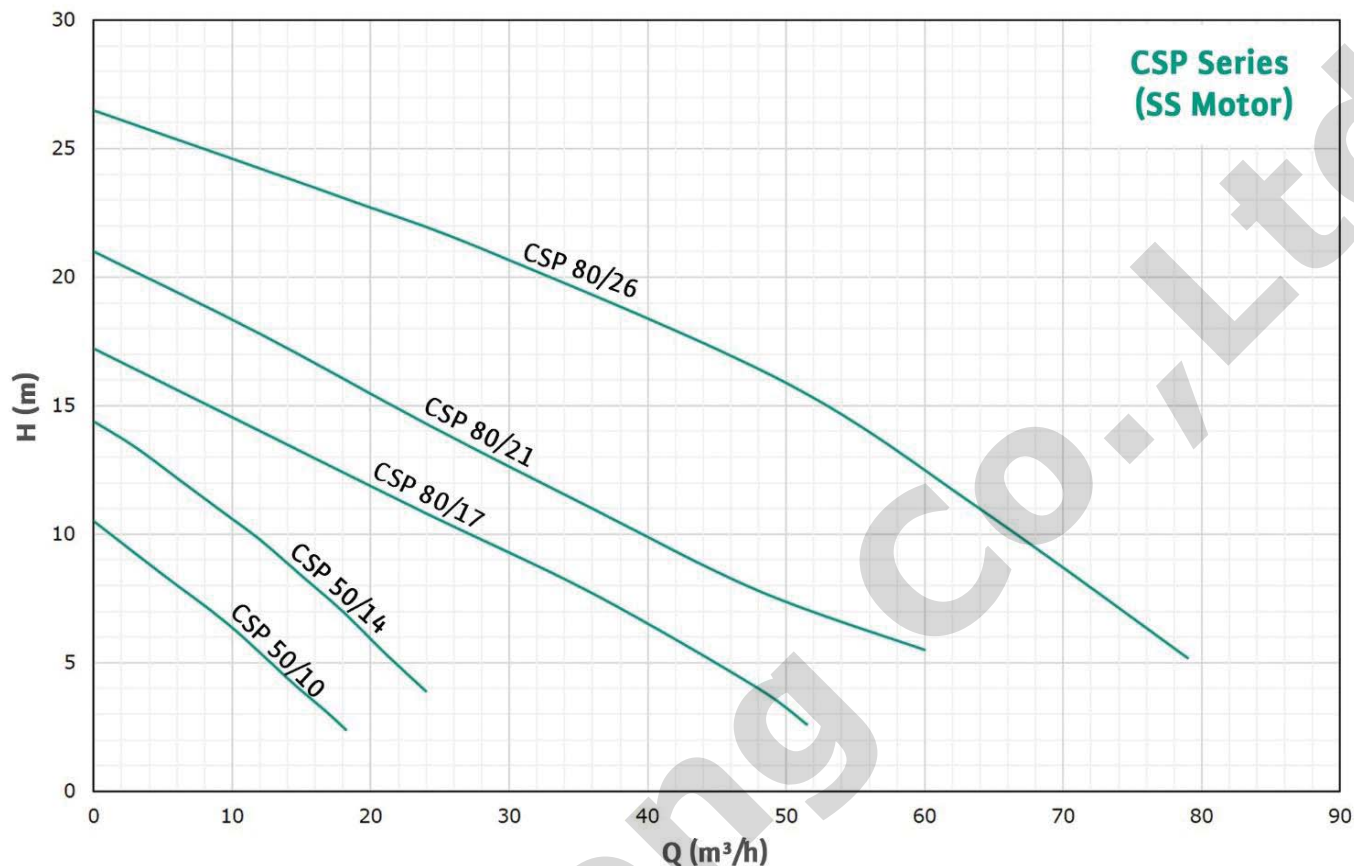


Model	Discharge (mm)	Solid Passage (mm)	Rated power		Full Load Ampere				Pole	Weight (Kg)	
					kW	HP	1 Ø			3 Ø	
			230V	380V			400V	415V			
CSP 80/15-15-C	80	62	1.5	2	10.0	3.6	3.5	3.4	2	37	33
CSP 80/19-22-C	80	62	2.2	3	14.6	5.1	5.0	4.8	2	40	35
CSP 80/27-37-C-3	80	62	3.7	5	~	8.4	8.2	7.7	2	~	48

Model	A	B	C	D
	(mm)			
CSP 80/15-15-C	417	275	260	576
CSP 80/19-22-C	417	275	260	603
CSP 80/27-37-C-3	498	305	290	578



Technical Data – CSP–Stainless Steel



Model	Discharge (mm)	Solid Passage (mm)	Rated power		Full Load Ampere				Pole	Weight (Kg)	
							3 Ø			1 Ø	3 Ø
			kW	HP	230V	380V	400V	415V			
CSP 50/10-04-C	50	22	0.4	0.5	3.0	1.4	1.3	1.3	2	16	15
CSP 50/14-075-C	50	26	0.75	1	5.2	2.0	1.9	1.8	2	18	17
CSP 80/17-15-C	80	32	1.5	2	10.0	3.6	3.5	3.4	2	38	34
CSP 80/21-22-C	80	35	2.2	3	14.6	5.1	5.0	4.8	2	40	34
CSP 80/26-37-C-3	80	35	3.7	5	~	8.3	7.9	7.9	2	~	35

Model	A	B	C	D
	(mm)			
CSP 50/10-04-C	276	238	235	459
CSP 50/14-075-C	276	238	235	459
CSP 80/17-15-C	411	269	258	598
CSP 80/21-22-C	411	269	258	598
CSP 80/26-37-C-3	468	275	260	541

